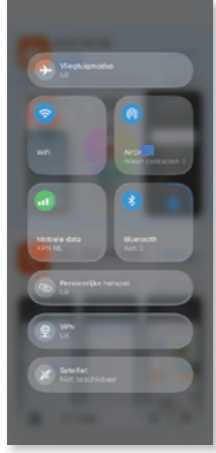


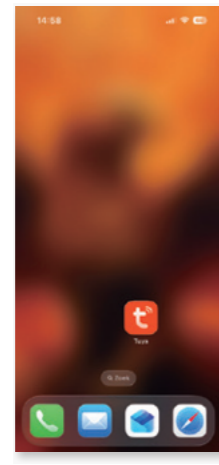
WIFI connection

How to connect the WIFI in 8 steps

- 1 Activate bluetooth on Mobile
- 2 Download Tuya Smart-app



- 3 Press "on/off" + "humidity" buttons together for 3s to open WIFI function of humidifier, WIFI lamp will flash.
- 4 Open Tuya smart App



Safety Guidelines

Warning: The symbol is a reminder to users that the operation may cause dangerous voltage or harm to the human body.
Note: The symbol is a reminder to users that the operation is an important procedure or repair instruction.

- ⚠ Do not open the main body of the device to repair or adjust without permission.
- ⚠ Do not change the power cord without permission, for example if it is damaged. It must be repaired by the repair department specified by the company to avoid danger.
- ⚠ Do not add any additives that are not produced by our company to the water used in the water tank of the humidifier.
- ⚠ Keep cleaning agents stored out of reach of children.
- ⚠ Do not place the humidifier in locations accessible to children.
- ⚠ Any modification or alteration to the humidifier may cause inconvenience or harm to the user if it is not approved by our company.
- ⚠ If any abnormal noise or odor occurs during operation, immediately turn off the humidifier and unplug it from the power source. It should be repaired by professional repair personnel if necessary.
- ⚠ Before cleaning or moving the humidifier, turn off the switch and unplug the power cord.
- ⚠ Unplug the power cord when the humidifier is not in use.
- ⚠ During operation, do not touch the water in the tank or any parts inside the water with your body.
- ⚠ Do not operate the humidifier if there is no water in the tank.
- ⚠ Do not place or use the humidifier in high-temperature environments such as bathrooms.
- ⚠ Do not touch the transducer with hard objects.
- ⚠ Do not clean the tank or transducer with any cleaning agent that is not produced or approved by our company.
- ⚠ Do not allow water to flow or splash into the interior of the base to avoid damage to components.
- ⚠ If the temperature is too low or the humidity is too high in the room, the mist may not spread fully; in that case, it is recommended to reduce the mist volume.
- ⚠ The humidifier should be properly disposed of after it is no longer in use and should not be discarded carelessly.
- To ensure that the humidifier operates normally without accidents, pay attention to the environment in which it is placed.
- The humidifier should be placed on a flat, hard surface to keep it stable and prevent overflow of water.
- The humidifier should be placed in an area away from stoves and other heat sources, and free from direct sunlight.
- The humidifier should be placed in an environment with a normal temperature instead of a cold environment, to avoid damage to the humidifier.
- Keep the humidifier away from furniture and home appliances to avoid direct mist spray as well as moisture or "white powder" attaching to their surfaces.

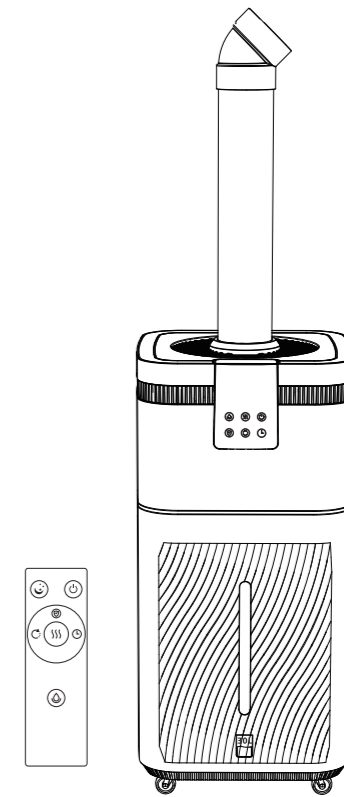
Common issues and troubleshooting

Instructions of Top Adding Water Type Pump: Common Faults and Troubleshooting		
Fault phenomenon	Cause analysis	Exclusion methods
Indicator light is off	Power is switched off	Connect the power and turn on the switch
	Wire Disconnection of Power Board (New machine)	Open the base cover and plug in the wire
	Circuit board burned	Replace circuit board
The indicator light is red	No water in the tank	Add water into the tank
	Float ring in the sink fails to float and get stuck	Move the float ring by a toothpick
	Failure to pump the water due to the inoperation of the pump	Replace it with a new pump
Display screen can work normally, but no mist or small mist	Scale on atomizer sheet	Clean the atomizer sheet
	Dirty water or too much alkaline mineral substance in water	Replace it with clear water
	Low water temperature	Recommended water temperature for 15-40 degree
Leakage from gap between the base and tank	Water tank is broken	Replace the water tank
Leakage from the bottom of the sink	Sink is broken	Replace the base
	Loose screw on atomizer sheet	Replace the atomizer sheet
	Broken fan	Replace the fan
Failure in the blowing out of mist from the base	Blocked air intake	Remove foam from the base
	Dust on Air intake filter screen or water drop on the wet filter screen	Clean the filter screen
	New machine	Open the tank and leave it in the shade for 12 hours
Smell spray	Dirty water or water stored for a long time	Clean the tank and replace the water with clear water
	Aging fan due to too much dust	Replace the fan

Scan the QR code for explanation video & multi language manuals.
 or go to www.humitec.shop and find your model number.



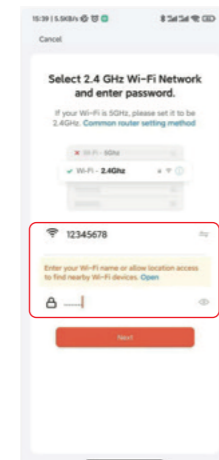
Ultrasonic Humidifier 30L
 model: 2504



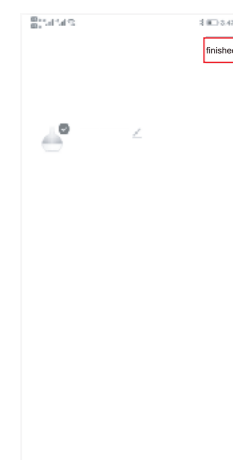
WIFI connection

How to connect the WIFI in 8 steps

- 5 Find 'Humidifier' and add it.
- 6 Enter your WIFI account & password



- 7 Click finished to add device
- 8 Connection successful



Function Introduction

■ Random items are subject to the distribution of different versions.

Name	Product	User Manual
Quantity	1 Piece	1

■ Technical parameters

- Product Model: 2504
- Nominal Voltage: 100V~240V~
- Nominal Frequency: 50Hz/60Hz
- Rated Power Input: 135W
- Rated Humidification: 3000 ml/h
- Tank Capacity: 30 L
- Noise: ≤60 dB(A)
- Net/Gross Weight: 5.3 kg / 6.4 kg
- Unit Dimensions: 300 mm × 300 mm × 628 mm
- Unit Dimensions including extra tube: 300 mm × 300 mm × 1080 mm

■ Features of the Ultrasonic Humidifier

- Automatic protection for water shortage
- Intelligent constant humidity
- One-click sleep function
- Top-fill water design
- Mist regulation function
- Timing function
- UV lamp
- Intermittent spray
- Wifi / App control
- Remote control (batteries not included)

Functions Intelligent Model

ON/OFF/SLEEP

After connecting the power, the humidifier will enter standby mode. The standby light will turn on. Press the button once to deactivate the standby indicator. The humidifier will then start operating in high mode. Hold the power button for three seconds to activate sleep mode. The display light will turn off, but all other functions will continue to work normally.

TIMER

Enter timing settings. Set between 1 and 16 hours

MIST VOLUME

Adjust the mist volume in 4 levels

CUSTOMIZE HUMIDITY

Constant Humidity Button: Set the humidity between 45% and 95%. Press this button until it reaches 95%. Press it again to cancel the settings. Set a desired value and the humidifier will operate automatically. When the humidity in the room reaches this value, the device will stop working until the humidity drops again.

INTERMITTENT MIST

Mist options: continuous spraying; 1 minute spraying; 1 minute stopping; 1 minute spraying; 3 minutes stopping; 1 minute spraying; 5 minutes stopping

UV LAMP

Turn on/off the UV light

Structure Diagram

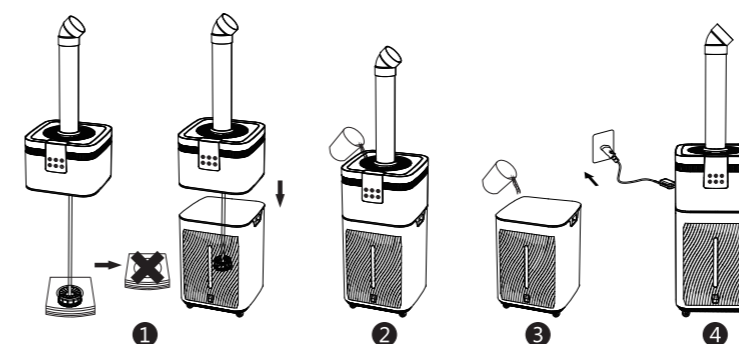
- Rotate Spray of mist
- Water intake mesh
- Strainer mesh for water inlet
- Top Cover of sink
- Water Retaining Cover
- Sink Control board
- Pumping tube
- Handle
- filter box
- Water tank
- Universal Wheel
- Water level measuring post
- Temperature and Humidity Sensor
- Power cord
- Mist Out bound Tube

Instructions for Use

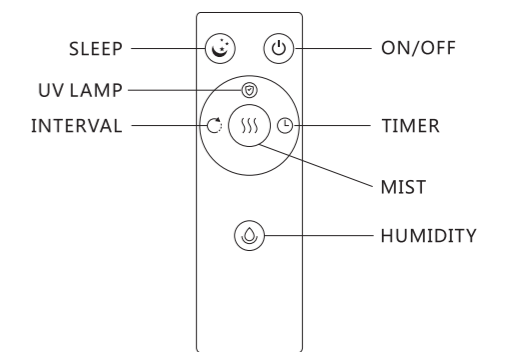
1. The humidifier should be placed for half an hour in a moderate and good ambient temperature when used for the first time. During use, make sure no water enters the air intake vent.
2. If the humidifier hasn't been used for a long time, the water tank and base should be cleaned before use. When cleaning the fan, ensure it is completely free of water so that none enters the humidifier.

Working Principle of a Pump Humidifier

1. Unpack the product and open the water tank. Remove the sponge block containing the pump tube, then place the humidifier back onto the water tank.
2. Pour water into the inlet on the top of the humidifier. Once full, the water will flow automatically into the tank. Meanwhile, the float with the built-in sensor will rise and connect to the pump tube. Switch the power on, and the device will start working. The pump will stop pumping water until the pump tube sends a low-water signal. When such a signal is detected, the pump will start refilling.
3. If the user directly pours water into the tank (without water in the upper tray) and plugs in the power, it is not necessary to turn on the device. The pump will automatically start refilling. After about 1 minute and 20 seconds, the tank will be full, the pump tube will connect, and the device will begin atomizing. If you turn on the device without enough water, the display will light up, but no mist will be produced because the pump tube hasn't been connected yet.
4. Connect the power and press the ON/OFF button (do not turn on the device when there's no water inside). The humidifier will start atomizing at the highest level. Use the mist button to adjust the mist output.



Introduction of Remote Control



Daily Maintenance

In some areas, the water is hard and contains relatively high levels of calcium and magnesium ions. Additionally, some regions use bleach as a cleaning agent. During use, calcium and magnesium ions may be released with the mist and settle on surfaces such as furniture and floors. Once dried, this can form a "white powder," and some of it may precipitate on the surface of the atomizer plate and the base, creating scale buildup. This is caused by water impurities. The scale on the atomizer plate can reduce the humidifier's effectiveness.

How to Keep the Humidifier Clean

It is recommended to clean the atomizer plate, water tank, the base scale, and the air intake mesh regularly when using the humidifier. Frequently replace the water in the tank to keep it clean. Do not leave water in the tank or base if the unit will not be used for a long time. Before storing the device, make sure all parts are cleaned, dried, and free from water, then place them back in the original packaging.

How to Clean the Atomizer Plate in the Base

After diluting the cleanser, pour it into the base and add water at a temperature of 45 °C to fully dissolve the detergent. Let it soak for 10 minutes, then gently scrub the surface of the atomizer with a small brush until the scale is completely removed.

Use a 1:1 solution of water and white vinegar or citric acid to clean the base. Then rinse the base and the atomizer surface thoroughly with water.